



Norman S Wright CO

Phoenix 602-275-4467
 Tucson 520-790-4490
 NSWHVACAZ.COM

6/1/2014



Line Sets with Wire	
1/4X3/8X25'	\$108
1/4X3/8X50'	\$193
1/4X1/2X25'	\$117
1/4X1/2X50'	\$213
1/4X5/8X25'	\$132
1/4X5/8X50'	\$240

Samsung MAX Summer Sale Pricing

Outdoor Unit	Indoor Unit	Cooling Capacity				Heating Capacity		MCA (outdoor unit)	SEER	EER	Refrigerant Piping				Sale Price	System Price With 50' Line Set
		ODB 95°F - IWB 67°F		ODB 115°F - IWB 67°F		ODB 48°F - IWB 61°F	ODB 5°F - IWB 61°F				MAX Height	MAX Length	Gas Side OD	Liquid Side OD		
		Total	Sensible	Total	Sensible											
MAX Heat Pump Systems High Wall Units																
AQX09VFUAGM	AQN09VFUAGM	10,236	7,779	8,769	6,664	12,731	7,703	15	19	13.25	25	50	3/8"	1/4"	\$820	\$1,013
AQX12VFUAGM	AQN12VFUAGM	12,659	8,861	9,690	6,783	14,524	9,336	15	18	11	25	50	3/8"	1/4"	\$955	\$1,148
AQX18VFUAGM	AQN18VFUAGM	19,994	13,396	13,614	9,121	21,812	13,880	20	16	10	65	100	1/2"	1/4"	\$1,315	\$1,528
AQX24VFUAGM	AQN24VFUAGM	25,556	16,100	21,734	13,693	28,672	21,299	25	15	9.6	65	100	5/8"	1/4"	\$1,330	\$1,570
AQX36VFUAGM	AQN36VFUAGM	35,663	22,111	29,635	18,374	36,169	25,554	30	18	10.8	98	162	5/8"	1/4"	\$2,100	\$2,340

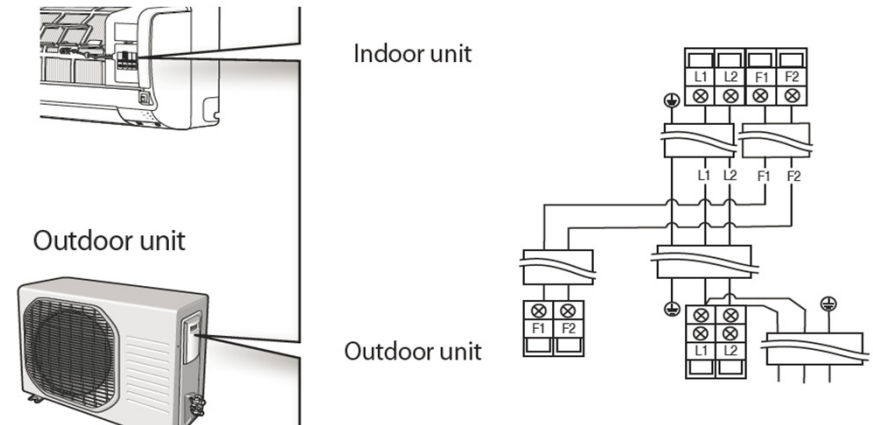
MAX Systems = 5yr Compressor - 3 yr parts - 120 day limited labor warranty

Wireless handheld remote controller included

All systems are 230 volt-1ph

Freight not included

Line Set comes with 14/3 line voltage wire and 16/2 shielded control wire



AQN-WRS	Wired Control Kit Non-Prog	\$110
AQN-WRp	Wired Control Kit Programmable	\$170

Samsung Systems require 5/16" adapter to connect standard 1/4" HVAC gauges. Sold separately
 Sale Pricing limited to stock on hand. Effective 6-1-14 while supplies last. Not valid with any other discounts. Sale pricing on equipment listed.



Norman S Wright CO
 Manufacturer's Representatives

6/1/2014



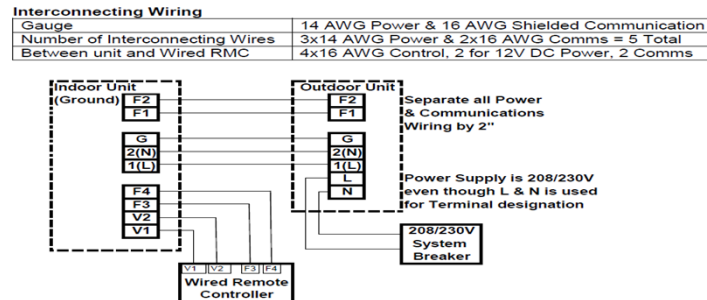
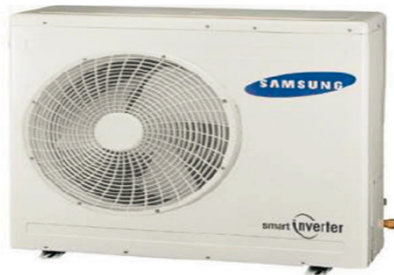
Line Sets with Wire	
1/4X3/8X25'	\$108
1/4X3/8X50'	\$193
1/4X1/2X25'	\$117
1/4X1/2X50'	\$213
1/4X5/8X25'	\$132
1/4X5/8X50'	\$240

Samsung Summer Sale Pricing Four Way Ceiling Cassette

BTU	Outdoor Unit	Cost	Indoor Unit	Cost	MCA (outdoor unit)	SEER	EER	Refrigerant Piping				Sale Price	System With 50' Line Set
								MAX Height	MAX Length	Gas Side OD	Liquid Side OD		
24,000	JH070CAV	\$1,320	CH070CAV	\$1,180	30	17	10.65	49	98	5/8"	1/4"	\$2,500	\$2,740
36,000	UH105CAV	\$1,400	CH105CAV	\$1,600	40	15.5	10.6	98	246	5/8"	3/8"	\$3,000	By Others
# 48,000	UH140CAV	\$1,761	CH140CAV	\$1,728	50	15.5	9.4	98	246	3/4"	3/8"	\$3,489	By Others

= 4 ton not on sale, non-stock

When ordering air handler, order panel #P4SMA (included with air handler) front panel.



Wall Mount programmable Controller included

Pricing subject to change without notice

Sale Pricing limited to stock on hand. Effective 6-1-14 while supplies last. Not valid with any other discounts. Sale pricing on equipment listed.



Norman S Wright CO

Phoenix 602-275-4467
Tucson 520-790-4490



6/1/2014

Line Sets with Wire	
1/4X3/8X25'	\$108
1/4X3/8X50'	\$193
1/4X1/2X25'	\$117
1/4X1/2X50'	\$213
1/4X5/8X25'	\$132
1/4X5/8X50'	\$240

Samsung Multi-Zone Heat Pump

All systems are 230 volt-1ph

Line Set includes 14/3 line voltage wire and 16/2 control wire

Outdoor Unit	Nominal Capacity	Max Connect' Capacity	Price	Max Air Handlers	Max Pipe to Air Handler	Max Total System Piping
MH050FXCA2A	18,000	24,000	\$1,025	2	75	100
MH080FXCA4A	30,000	36,000	\$1,515	4	75	225

MAX Systems = 7yr Compressor - 5 yr parts - 90 day limited labor warranty

High Wall	BTU	Price
# MH026FENCA	9,000	\$370
# MH035FENCA	12,000	\$410
# MH052FENCA	18,000	\$557
Slim Ducted		
# MH026FECA	9,000	\$512
# MH035FECA	12,000	\$557
# MH052FECA	18,000	\$661
4 way Cassette		
# NXJ30MHXCA	10,000	\$701
NXJ35MHXCA	12,000	\$650
NXJ52MHXCA	18,000	\$820
One Way Cassette		
# NJ0261HXCA	9,000	\$701
# NJ0261HXCA	12,000	\$789



Controller Included



Pricing subject to change without notice

= Not on sale

Sale Pricing limited to stock on hand. Effective 6-1-14 while supplies last. Not valid with any other discounts. Sale pricing on equipment listed.



Norman S Wright CO

Phoenix 602-275-4467
Tucson 520-790-4490



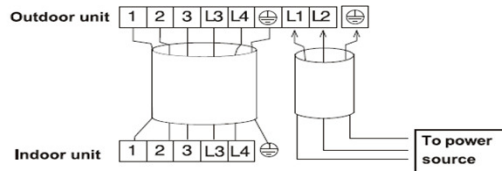
6/1/2014

Outdoor Unit	Indoor unit	Cooling Only Systems				Refrigerant Piping				Sale Price
		Nominal BTU	SEER	Voltage	MCA	MAX Height	MAX Length	Gas Side OD	Liquid Side	
QS09-VP115	QS09-VJ115	9,000	22	115V-1ph	15	20	50	1/2	1/4	#
QS12-VP115	QS12-VJ115	12,000	20	115V-1ph	15	20	50	1/2	1/4	\$835
QS18-VP115	QS18-VJ115	18,000	18	230V-1ph	20	20	50	5/8	3/8	#
QS24-VP115	QS24-VJ115	24,000	18	230V-1ph	25	20	50	5/8	3/8	#

5yr compressor warranty - 1 yr part warranty

Toshiba Compressor

= Not on sale, non-stock



14/7 interconnecting wire



Sale Pricing limited to stock on hand. Effective 6-1-14 while supplies last. Not valid with any other discounts. Sale pricing on equipment listed.